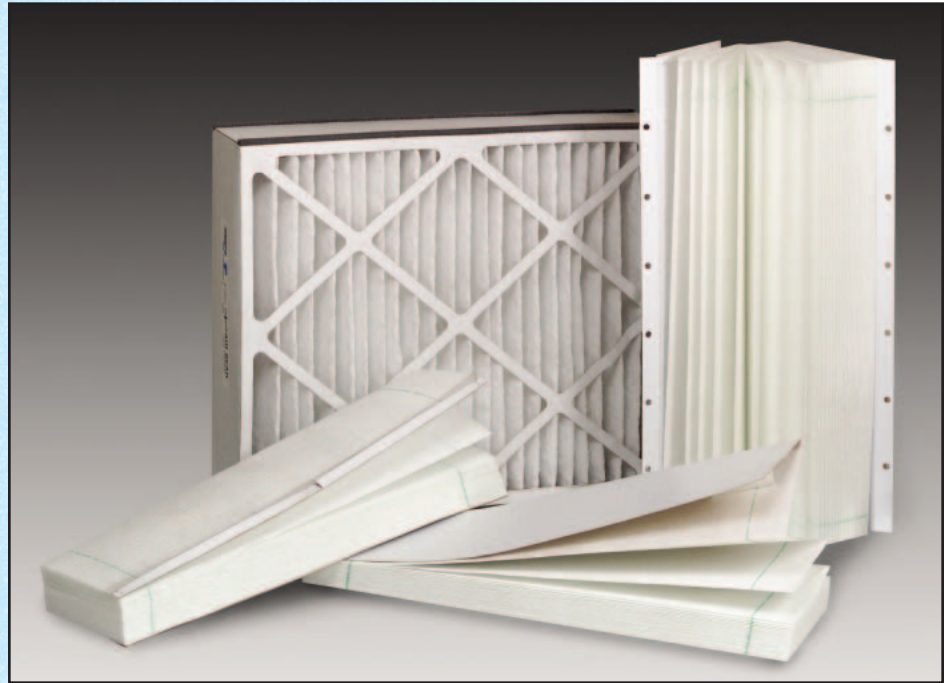


FILTRATION GROUP

RESIDENTIAL REPLACEMENT FILTERS

- Universal replacements for leading brands
- Quality construction and efficient media
- No retrofit needed to install
- Simple upgrade for home filtration systems
- Cabinet easily adapts to most furnaces



Replacement filters for brand name high efficiency media air cleaners used in forced air HVAC systems. Filter performance meets or exceeds the specifications established by the original manufacturer.

Residential replacement products include universal replacements for many leading brands, such as:

- Honeywell
- Spaceguard
- General
- Trion Air Bear

Filters are designed to match the original manufacturers dimensions and therefore no cumbersome retrofit steps needed to install.

The Air Cleaner Cabinet is designed for residential and light commercial forced-air heating and/or cooling systems. Units handle most central forced air furnace installations. Media filter is wet layered micro fiberglass paper.

High efficiency filtration removes up to 98% of the dust, dirt, smoke, pollen, bacteria, and other contaminants. Removes up to 80% of particles in the air down to 1.0 microns in size, large dust holding capacity has 100 square feet of filter media. This filtering system's low pressure drop makes it ideal even for heat pump applications.

Filtration Group's air cleaner cabinet is easy to install because of built in flanges into furnaces. For duct size 20 x 22 1/2.

- No electrical connections necessary
- No electricity consumed
- Does not produce ozone
- Quick, easy, clean maintenance

Slide out dirty cartridge and replace with new one. Filter media cartridge (included) is completely factory assembled.

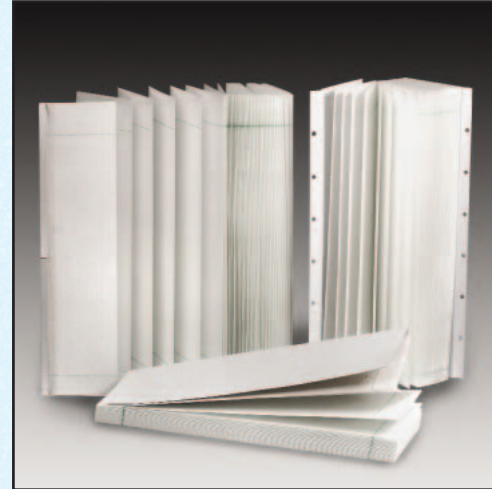


FILTRATION GROUP

Replacement Filters For Residential Air Cleaners

These filters are replacements to those supplied by the original manufacturer. Requires use of original manufacturer's spacers and dividers. UL Classified as to flammability only; Class 2.

| Replaces Manufacturer | Manufacturer's Model | Manufacturing Number | Shipping Weight |
|-----------------------|----------------------|----------------------|-----------------|
| General | AC-1 | 10661 | 3.0 |
| Honeywell | F66A | 10660 | 3.0 |
| Spaceguard | 2200, 2250 | 10659 | 3.0 |



Air Bear Replacement Filters

Replaces filter cartridges used in the Trion Air Bear type air cleaner. "Little Bear" size also available. Equals or exceeds performance of the original filter. UL Classified as to flammability only; Class 2.

| Model | Size WxHxD | Manufacturing Number | Shipping Weight |
|-------------|-------------------------|----------------------|-----------------|
| Air Bear | 24 1/8 x 19 5/8 x 4 3/4 | 12428 | 3.0 |
| Little Bear | 16 x 25 x 3 | 22942 | 2.0 |



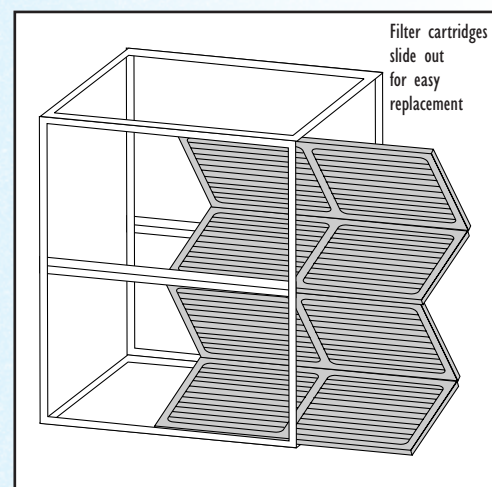
Air Cleaner Cabinet & Replacement Filters

| Filtration Group Air Cleaner Cabinet | Part Number | Dimensions HxDxW | Approximate Weight (lbs.) |
|--------------------------------------|-------------|------------------|---------------------------|
| Cabinet | 13158* | 21 x 11 x 23 1/2 | 25.0 |
| Replacement Filter only | 10658 | Filter Pack of 4 | 17.0 |

* Includes filters

RAC Performance Data

| | | | |
|----------------------|------|------|------|
| Air Flow (cfm) | 1200 | 1600 | 2200 |
| Pressure Drop (w.g.) | .16 | .23 | .31 |



© FGI 06/02

